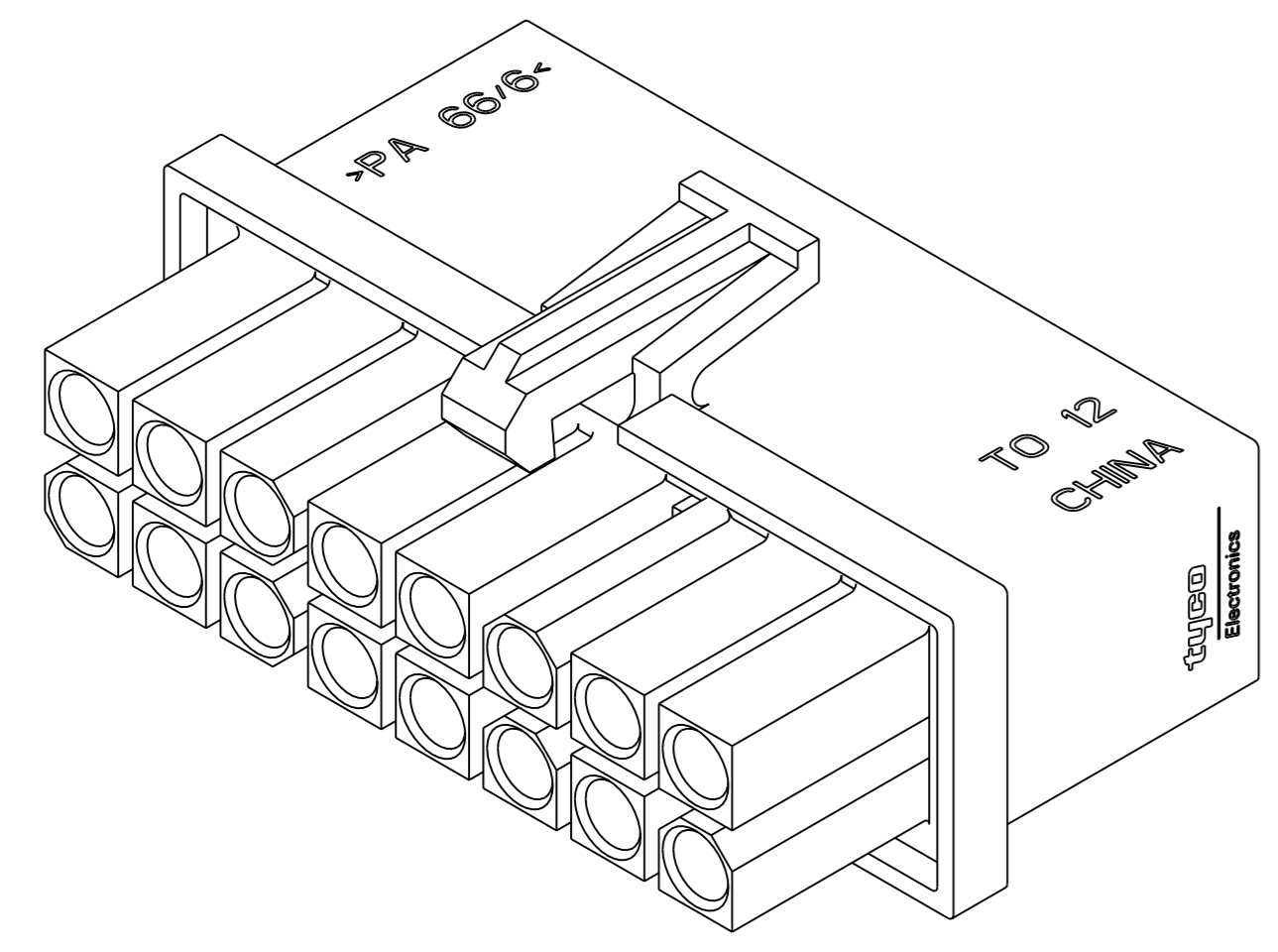
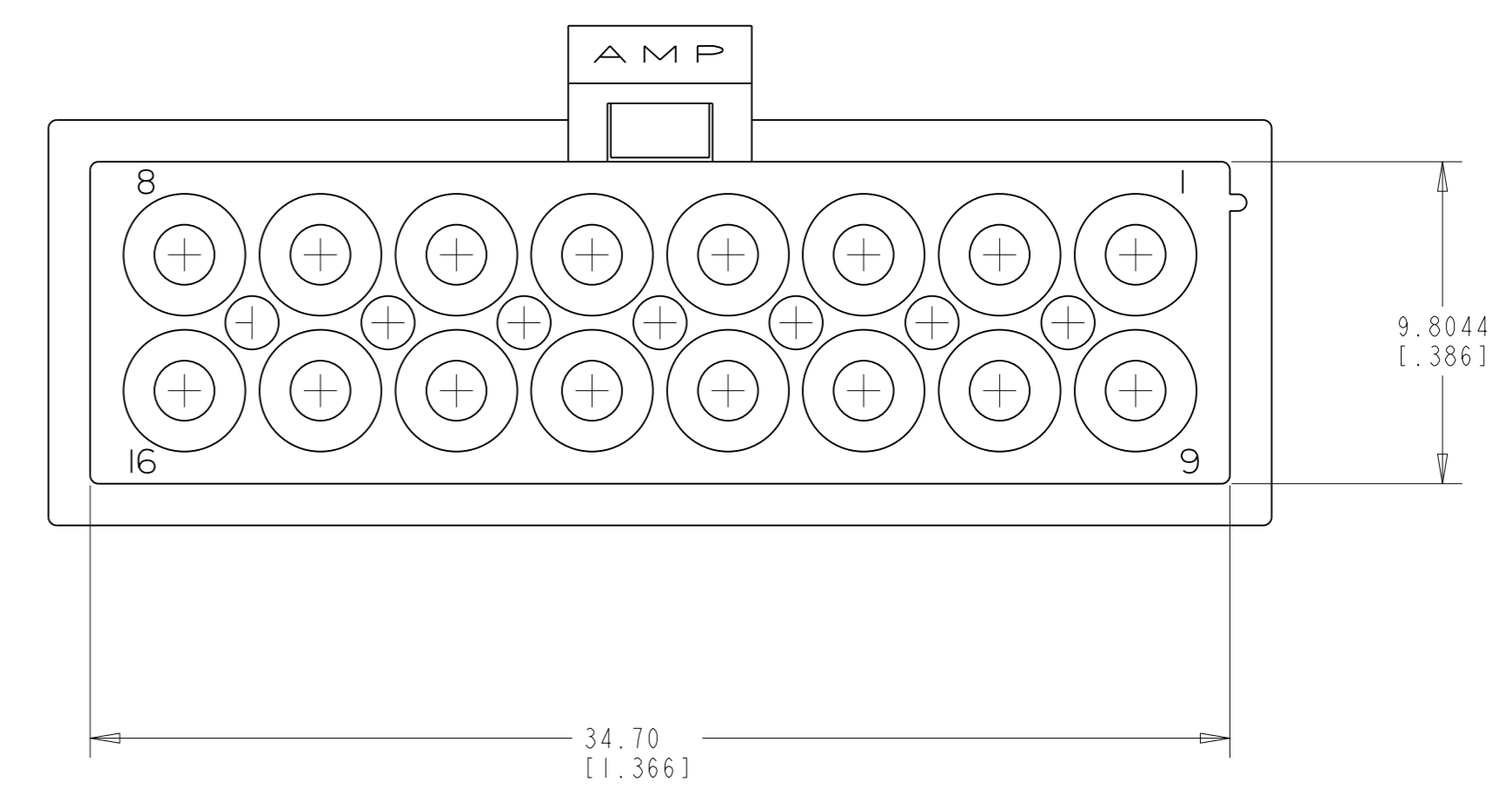
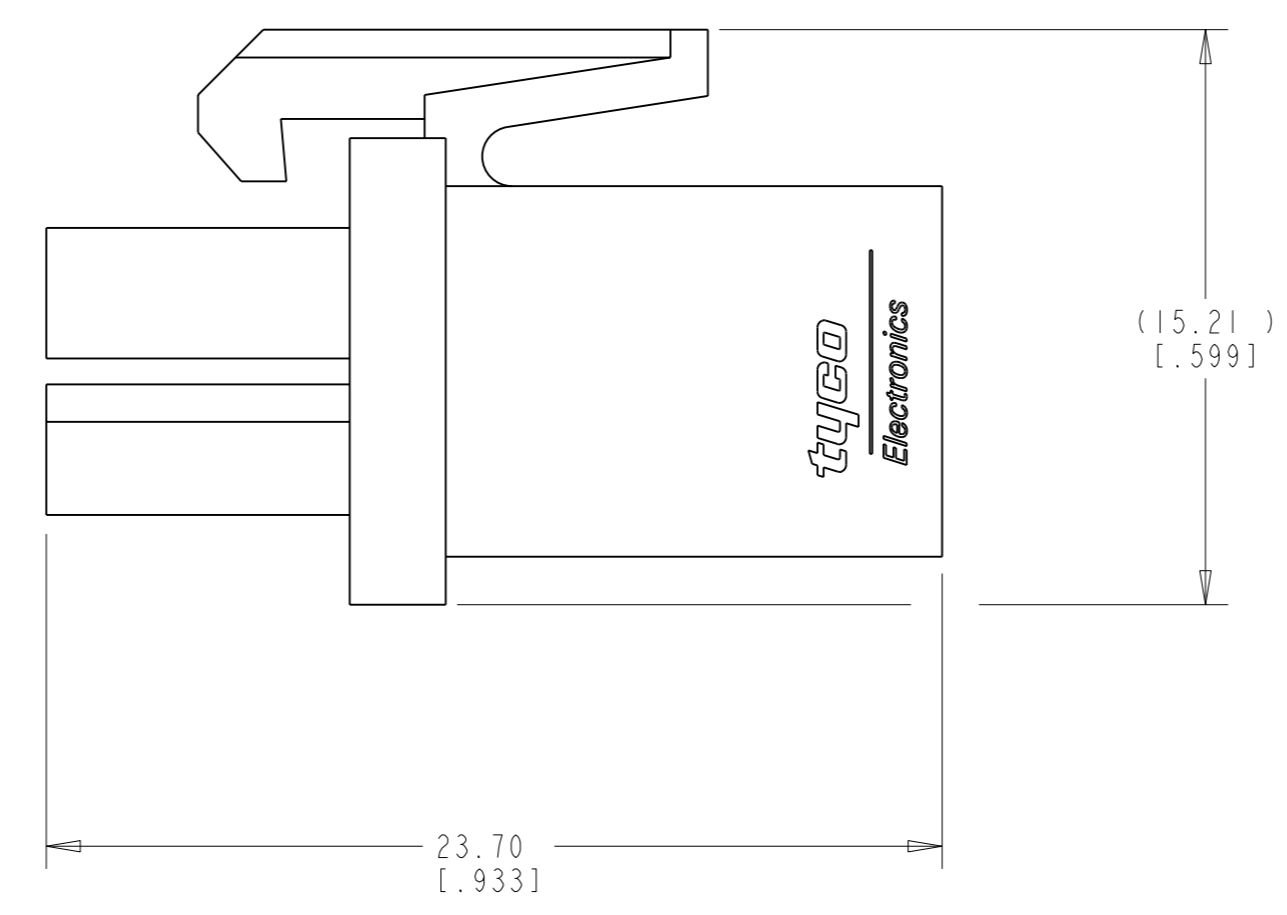
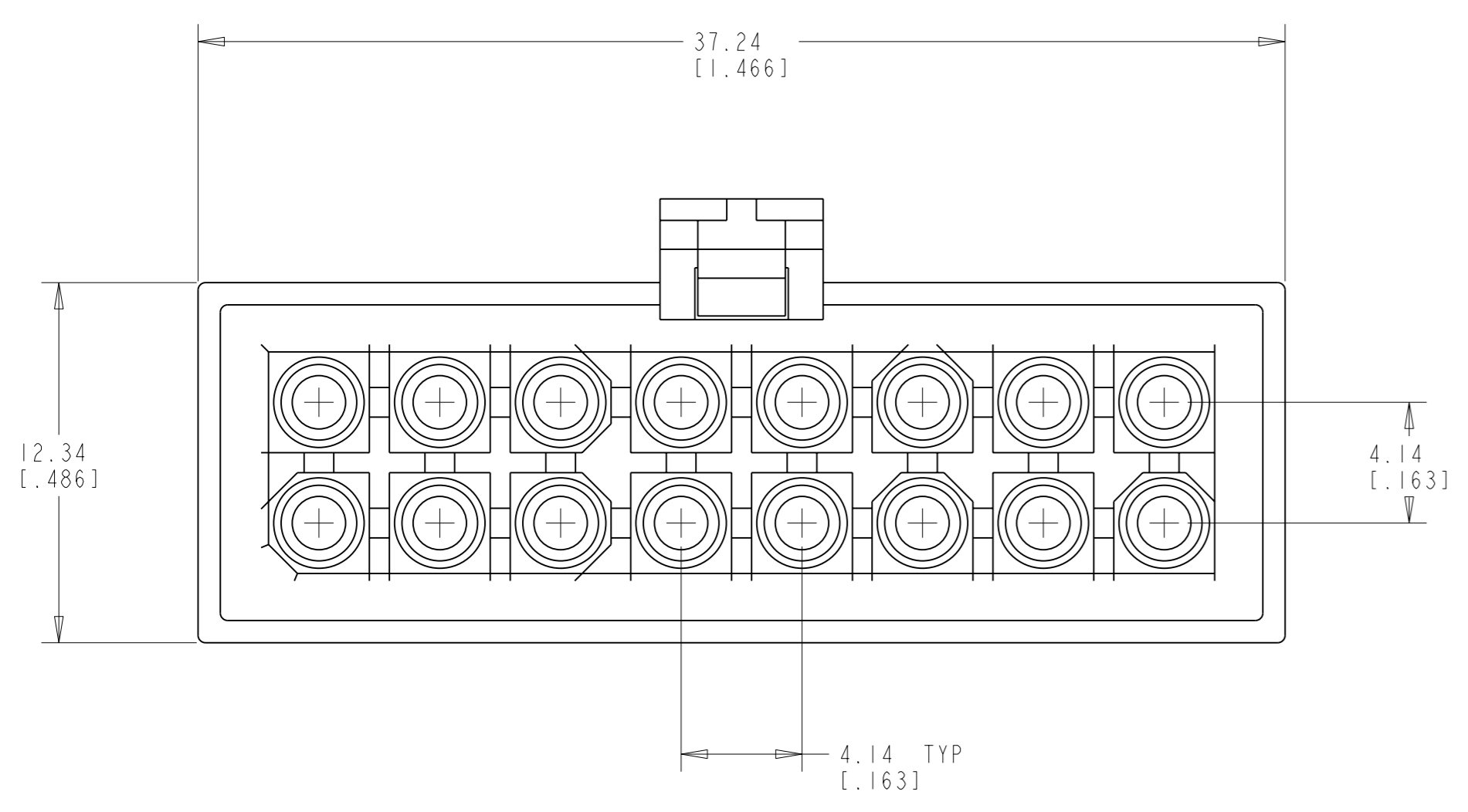


LOC	DIST	REVISIONS			
F	LYR	DESCRIPTION	DATE	DWN	APVD
2		REVISED PER 0G3B-0820-03	21-OCT-03	KW	CJ
3		REVISED PER 0G3B-0015-05	04FEB05	KW	CJ
A		REVISED PER ECO-06-006276	17MAR06	KW	CJ

1. DIMENSIONS IN BRACKETS ARE IN INCHES.



3 DIMENSIONAL MODEL
 SCALE 4:1

794824-1
 PART NUMBER

METRIC

<small>THIS DRAWING IS A CONTROLLED DOCUMENT FOR PROTECTIVE INFORMATION. IT IS THE PROPERTY OF TYCO ELECTRONICS CORPORATION AND IS NOT TO BE REPRODUCED OR TRANSMITTED IN ANY FORM OR BY ANY MEANS, ELECTRONIC OR MECHANICAL, INCLUDING PHOTOCOPYING, RECORDING, OR BY ANY INFORMATION STORAGE AND RETRIEVAL SYSTEM, WITHOUT PERMISSION IN WRITING FROM TYCO ELECTRONICS CORPORATION.</small>		DWN: K. WHITAKER CHK: K. COBLE APVD: K. COBLE	10AUG2000 10AUG2000 10AUG2000	Tyco Electronics Harrisburg, PA 17105-3608
DIMENSIONS: mm [INCHES]	TOLERANCES UNLESS OTHERWISE SPECIFIED: 0 PLC ± 1 PLC ± 2 PLC ±0.13(.005) 3 PLC ± 4 PLC ± ANGLES 40° 30'	NAME: PLUG, 16 CIRCUIT, MINI UNIVERSAL MATE-N-LOK(TM) APPLICATION SPEC:	SIZE: A CAGE CODE: 00779 DRAWING NO: 794824	RESTRICTED TO:
MATERIAL: NYLON UL 94V-0, WHITE FINISH:	WEIGHT: 0.249	CUSTOMER DRAWING	SCALE: 5:1	SHEET 1 OF 1 REV A